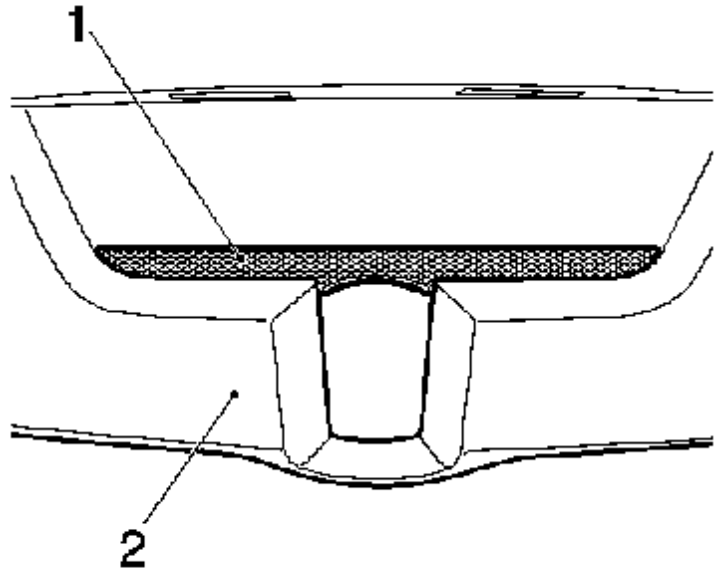


Grille, Rear Clamshell, Replace



Remove

1. Remove rear clamshell - see operation "Rear Clamshell, Remove and Install"
2. Roughly cut out rear grille (1) from rear clamshell (2)
 - Use suitable tool
3. Cut off grille flange from rear clamshell
4. Cut off residues
5. Trim down adhesive beads



S 0006224



Install

- Important:** Observe manufacturers instructions for curing time of bonding adhesive.
6. Install new rear grille to clamshell
 - Use suitable bonding adhesive
 7. Install rear clamshell - see operation "Rear Clamshell, Remove and Install"